



SENGATE

PROX READER

TS-50

FEATURES :

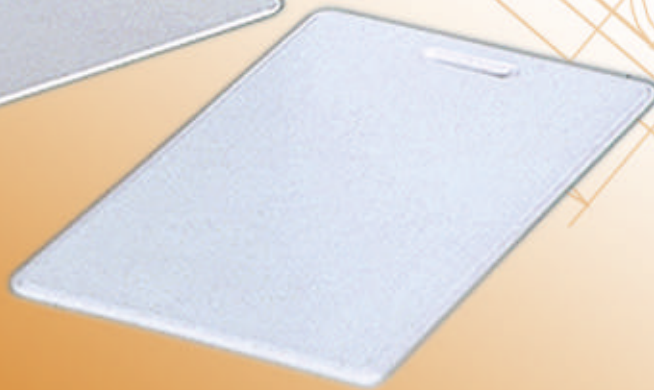
- The quantity of memorized sub-cards for TS-50 is 50 cards (Max.).
- Read the Master card first before doing any DELETE and MEMORIZE operation on sub-cards.
- Same Prox card can be set or memorized to different TS-50.
- TS-50 can be connected with control panel and Gate Lock system of company and family for better protection.

CA-08B



- Exit Switch makes more convenient operation.

CA-18B



TS-50



Key Chain

FEATURES



OUTDOOR DESIGN

Outdoor design to increase product's life. Protection against Rain, Dust, Sunshine and Insect to maintain proper sensitivity.

- Rubber Ring and Wiring Cover design could make better protection against Rain, Dust and tiny Insect.



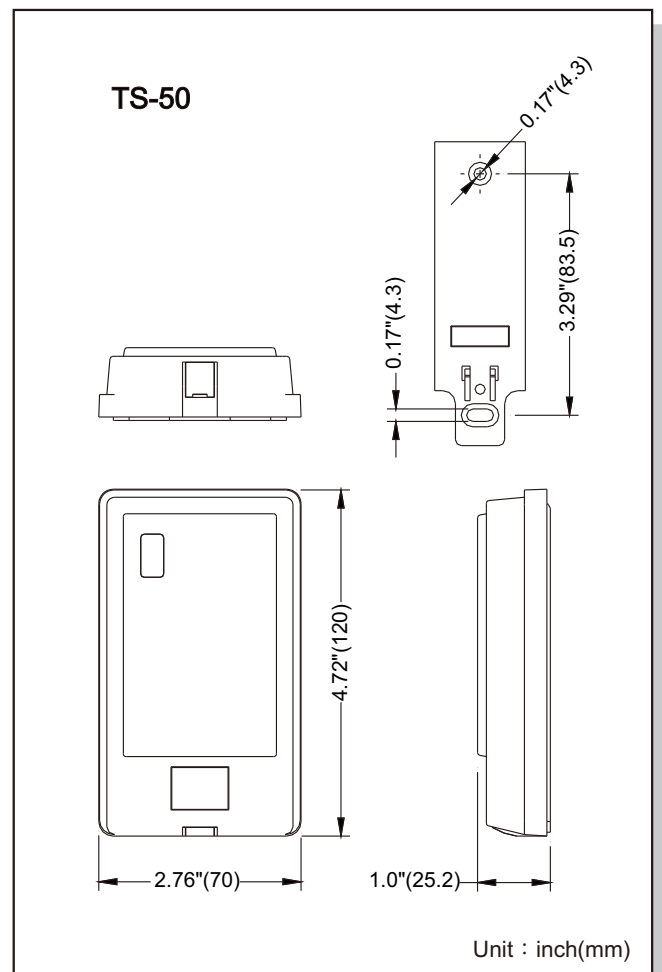
DIP SWITCH OPERATION

The DIP Switch is available for Transient or Solid State operation. Various Relay Transient Interval is available for options.

SPECIFICATION

Code Number	TS-50
Supply Voltage	10V~18VDC
Current Consumption	65 mA (max, 75mA)
Reading Distance	3.15 " (8 cm)
Frequency	125KHZ
Card Used	Read Only
Reading Speed	0.1 sec
Card Capacity	Master Card x 1 pc Sub Card x 50 pcs
Relay Output	Dry Connect Relay NC. / NO. 1A/ 30 VDC Transient (DIP Switch setting) / Solid State
Tamper Switch Output	Dry Connect Relay NC. 0.2A/ 30VDC (NC. opens when cover is removed.)
LED	Multi-Color (Red/ Green) ON : Power/Function operation. Red Color ON : DC 10V-18V connected.
Operating Temperature	-13°F to +131°F (-25°C to +55°C)
Environment Humidity	95% (max)
Wiring	Terminals
Mounting Position	Indoor/ Outdoor (Wall, Switch Box)
Weight	6.6 oz (187 g)
Dimensions (inches/ mm)	W 2.76" x H 4.72" x D 0.1" (W 70 x H 120 x D 25.2)
Standard Accessories	1.8 mm thickness Prox Card --- 3 pcs Screws (4 x 20 mm) --- 2 pcs Screws (4 x 30 mm) --- 2 pcs Screws (3 x 8 mm) --- 1 pc
Parts for Options	0.8 mm thickness Prox Card Key-chain Prox Card

DIMENSIONS



NO.A019E02-10



Taiwan Security Net Co., Ltd. Designing / Manufacturing

Http://www.sengate.com