



## NEW FUNCTION • NEW DESIGN

### FEATURES :

- A.G.C. (Automatic Gain Control) Circuit.
- Double Modulation Beam Frequency.
- Selectable 4-Channel Beam Frequencies.
- High Grade Aspherical Lens.
- Optional Heating Unit for cold areas.
- Protection against Rain, Dust & Insect.
- Protection against Frost, Snow & Dew.
- Adjustable Beam Interruption Period.
- Static, Lightning & Surge Resistance.
- External visible light protection.

# 100 / 150M TWIN PHOTOELECTRIC BEAM SENSOR

2PH-100 / 150BS

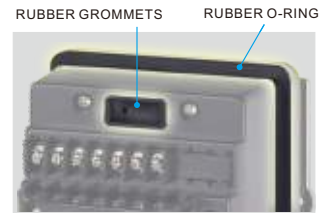
2PH-100 / 150BQ



## FEATURES :

### RAIN, DUST & INSECTS PROTECTION

The Rubber O-Ring & Rubber Grommets used to prevent rain, dust and tiny insects from adversely affecting performance.



### DOUBLE MODULATION IR BEAM FREQUENCY

### FORM C RELAY (N.C./N.O.)

### FROST & DEW PROTECTION

An anti-frost design is to protect the detector from effect of frost & dew.

### 99% BEAM BLOCKING STABILITY

Enabling stable operation with as much as 99% loss of beam energy.

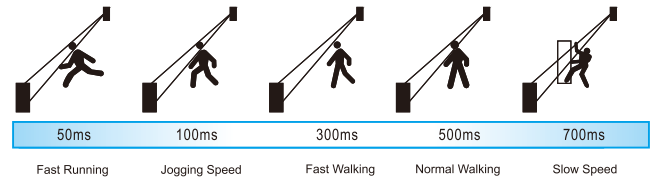
### AUTOMATIC GAIN CONTROL (A.G.C.)

The A.G.C. Circuit continually monitors for gradual changes in the signal's strength caused by weather conditions and adjusts the trigger level accordingly, to maintain proper sensitivity.

### STAINLESS SCREWS & BACK PLATE

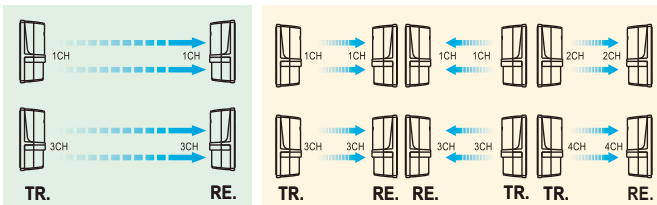
### ADJUSTABLE BEAM INTERRUPTION PERIOD

Beam interruption time can be adjusted according to the peculiarities of each installation location. When protecting a wall or fence, a long interruption time could catch intruders, but let jumping cats or small objects pass through.



## SELECTABLE 4-CHANNEL BEAM FREQUENCY

- 1 2-stacked protection.
- 2 Line and 2-stacked protection.



## SPECIFICATIONS :

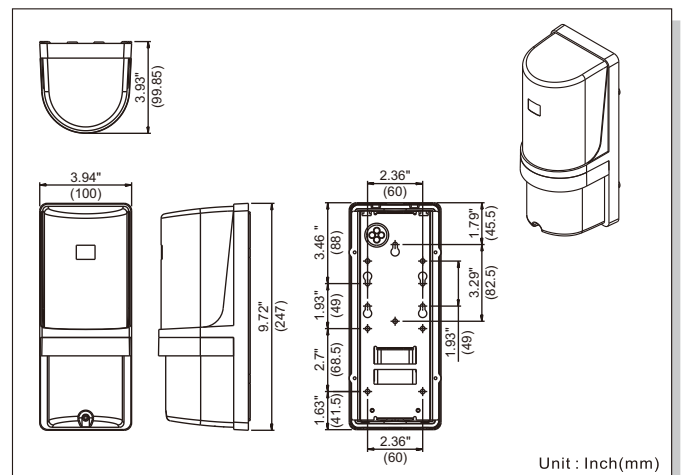
| MODEL                     |         | 2PH-100BS  | 2PH-150BS       | 2PH-100BQ       | 2PH-150BQ       |
|---------------------------|---------|--|-----------------|-----------------|-----------------|
| Detection Distance        | Outdoor | 300 ft. (100m)   | 450 ft. (150m)  | 300 ft. (100m)  | 450 ft. (150m)  |
|                           | Indoor  | 600 ft. (200m)   | 900 ft. (300m)  | 600 ft. (200m)  | 900 ft. (300m)  |
| Max. Arrival Distance     |         | 3000 ft.(1000m)  | 4500 ft.(1500m) | 3000 ft.(1000m) | 4500 ft.(1500m) |
| Current Consumption       |         | 67mA (max)   | 85mA (max)      | 67mA (max)      | 85mA (max)      |
| Selectable Beam Frequency |         | 4-channel  |                 |                 |                 |
| Power Supply              |         | 10.5V ~ 30VDC ( Non _Polarity )  |                 |                 |                 |
| Infrared Photoelectric    |         | LED pulsed beam, Double modulation   |                 |                 |                 |
| Detection System          |         | Simultaneous breaking of 2 beams   |                 |                 |                 |
| Response Time             |         | 50msec ~ 700msec ( Adjustable )  |                 |                 |                 |
| Alarm Output              |         | Dry connect relay NC. / NO. 0.2A / 28VDC<br>Contact action: 1 To 3 sec .                                   |                 |                 |                 |
| Tamper Output             |         | Dry connect relay NC. 0.2A / 28VDC<br>Action : cover is detached.  |                 |                 |                 |
| Alarm LED                 |         | Red LED (Receiver) lights when an alarm is initiated.  |                 |                 |                 |
| Attenuation LED           |         | Yellow LED (Receiver) lights when beam is attenuated   |                 |                 |                 |
| Functions                 |         | RF-Monitor Jack, Meter Monitor Jack output<br>AGC circuit, Frost proof cover.                              |                 |                 |                 |
| Alignment Angle           |         | Horizontal ± 90°, Vertical ± 10°   |                 |                 |                 |
| Operating Temperature     |         | -13°F to +131°F ( -25°C to +55°C )   |                 |                 |                 |
| Mounting Positions        |         | Indoor / Outdoor   |                 |                 |                 |
| Wiring                    |         | Terminals  |                 |                 |                 |
| Weight                    |         | Transmitter ( 905g ) & Receiver ( 945g )   |                 |                 |                 |
| Dimensions                |         | W100 x H247 x D100 mm  |                 |                 |                 |
| Standard Accessories      |         | U-Shaped Brackets x 4 , Attenuation Sheet x 1<br>Screws ( 4x20 Self tapping ) x 8 , Screws ( M4 x 20 ) x 8 |                 |                 |                 |
| Option                    |         | Heating Unit (HT-150)  |                 |                 |                 |

### HEATING UNIT - HT-150 (OPTION PART)

For use in cold areas ( Temperature control switch inside ),  
24V DC/AC,  
400mA max. (800mA/set)



## DIMENSIONS :



Unit : Inch(mm)

### NOTE :

- This unit is designed to detect an intruder and activate an alarm control panel. Being only a part of complete system, we cannot assume responsibility for theft or damages, should it occur.
- Specifications and design are subject to change without prior notice.

No.2PH150BQ-0528A



Taiwan Security Net Co., Ltd.

Designing / Manufacturing