

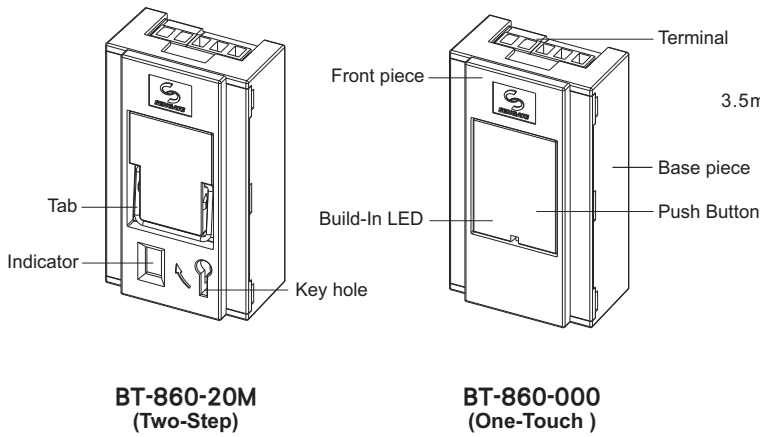
BT-860-000 / BT-860-0L0 / BT-860-0LM / BT-860-00M / BT-860-200 / BT-860-2L0 / BT-860-2LM / BT-860-20M
 BT-860-000F / BT-860-0L0F / BT-860-0LMF / BT-860-00MF / BT-860-200F / BT-860-2L0F / BT-860-2LMF / BT-860-20MF

Thank you for selecting the Emergency Push-Button of **SENGATE** Brand.
 Please read the Instruction Manual carefully before using it.

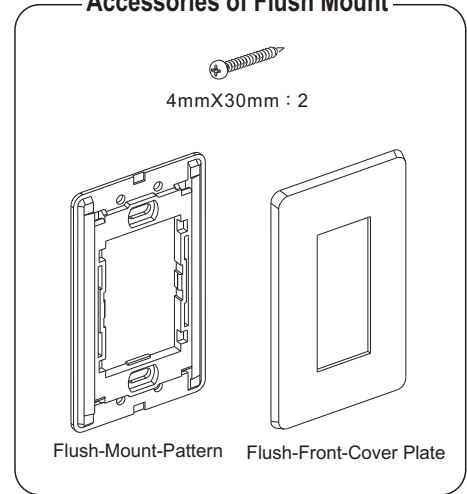
Products Features

- One-Touch / Two-Step Operation.
- Memory Device of Alarm.
- Surface / Flush Mount.
- ON/OFF LED Light.

1. PARTS NAME



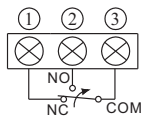
Accessories of Flush Mount



2. WIRING

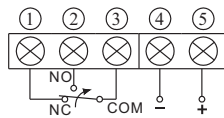
Wiring

(Without LED)



Alarm Output
 Dry Connect
 NC./NO.
 0.3A/30VDC

(With LED)



Alarm Output
 Dry Connect
 NC./NO.
 0.3A/30VDC

Power
 DC10V
 ~ 24V

Remarks:

- (1) The circuit of Power and Alarm Output are separated, so even without power supply, alarm output still remains.
- (2) No LED device, no power terminal.

3. CODE NUMBER IDENTIFICATION

BT-860 - X X M F

Button Type	Button
0	One-Touch
2	Two-Step

LED Light	LED OFF / ON
L	LED Yellow / Red
0	Nil LED

Installation Mount	Flush Mount
F	Yes
Blank	Nil

Indicator	Alarm Memory
M	Yes
0	Nil

Example:

BT-860-000: One-Touch Button.

BT-860-2L0: Two-Step Button, with LED Light.

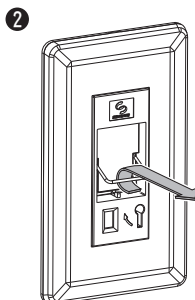
BT-860-20MF: Two-Step Button, with Alarm Memory Device and Flush Mount.

4. ALARM RELEASE

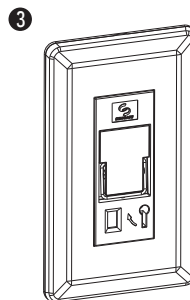
(Two-Step)



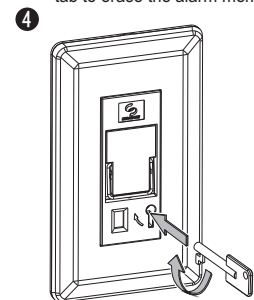
Press the button, alarm output.



Pull the tab forward to release the alarm, and the button would return as well.



Press the tab back to the plot.



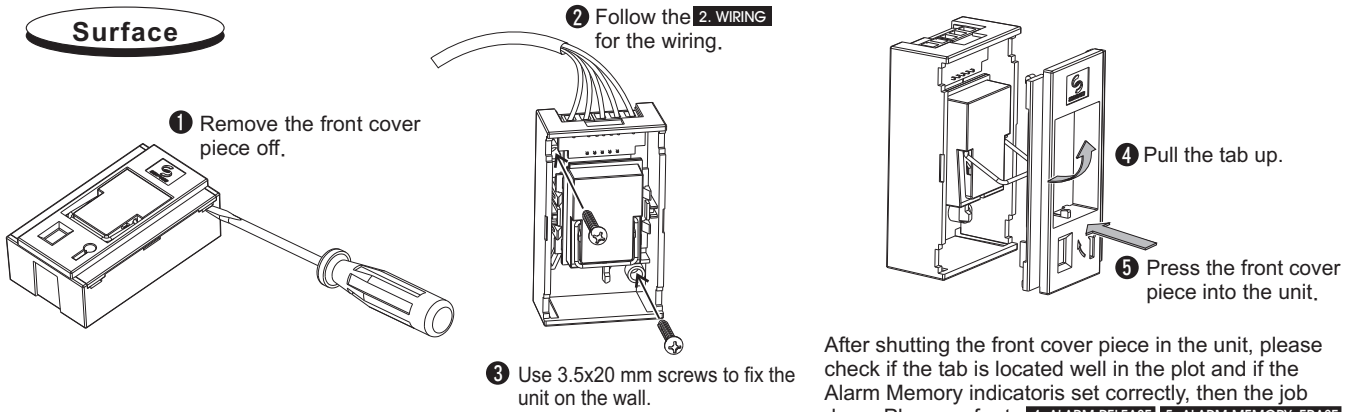
Insert the key and turn it clockwise to make the indicator to return the color from red to green color.

5. ALARM MEMORY ERASE

Note: It is required to pull-out the tab to erase the alarm memory.

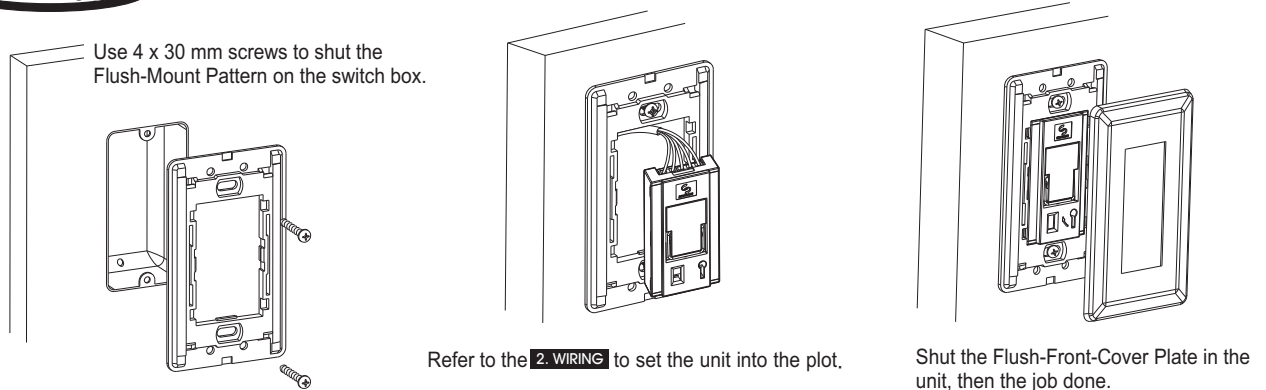
6. INSTALLATION PROCEDURE

Surface



After shutting the front cover piece in the unit, please check if the tab is located well in the plot and if the Alarm Memory indicator is set correctly, then the job done. Please refer to **4. ALARM RELEASE** **5. ALARM MEMORY ERASE**

Flush Type



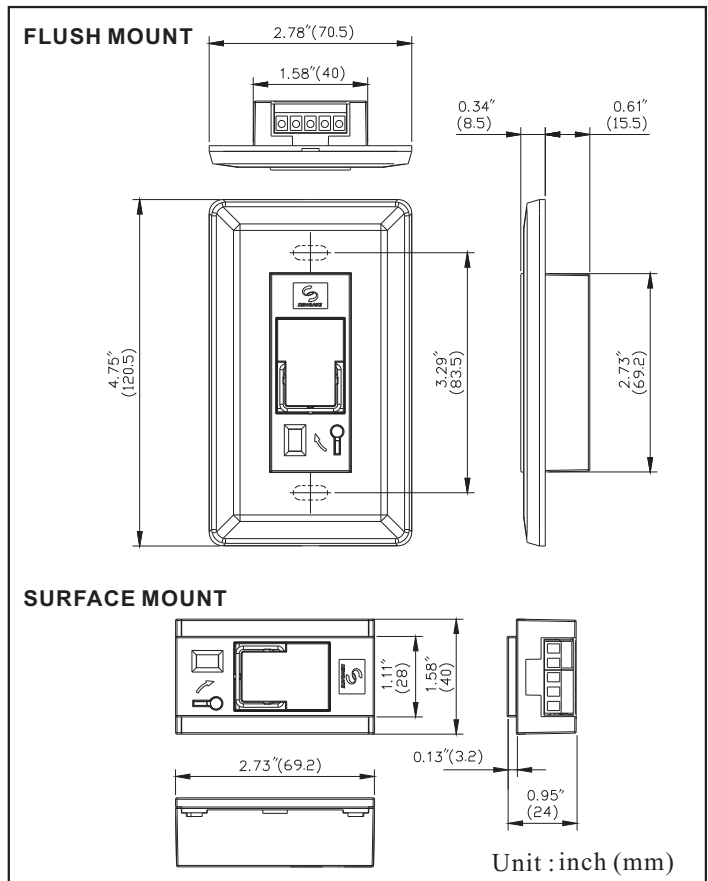
7. SPECIFICATION

MODEL	BT-860-2LM
Supply Voltage	10V ~ 24VDC
Current Consumption (with LED Indicator)	5mA (DC12V , max) 10.5mA (DC24V , max)
Alarm Output	Dry connect relay, micro-switch, NC. / NO. 0.3A / 30VDC
Button Type	One-Touch, Two-Step Operation
LED Light	OFF-Yellow LED, ON-Red LED (With LED light)
Operating Temperature	-25°C ~ +55°C (-13°F ~ +131°F)
Environment Humidity	95% (max)
Wiring	Terminal
Mounting Position	Indoor-wall
Weight	34 grams
Dimensions(inches/mm)	1.57" X 2.73" X 0.95" (40 X 69.2 X 24)
Accessories	Screws (3.5x20mm) 2 pcs
Accessories of Flush Mount	Flush-front-cover plate, Flush-mount pattern, Screws 4 X 30mm-2 pcs

REMARKS:

- Being a part of alarm system, this unit is designed to activate an alarm control panel only.
- Please follow the instruction of power supply and current spec, to prevent the damaging in the product.

8. DIMENSIONS



No:A052B01-00



Taiwan Security Net Co., Ltd. Designing / Manufacturing

Web Site : <http://www.sengate.com>