

**MS-46**  
MAGNETIC SWITCH



## SECURITY SENSORS

MAGNETIC SWITCH / EMERGENCY BUTTON / PULL SWITCH

**MS-50**  
MAGNETIC SWITCH



**BT-850**  
EMERGENCY BUTTON

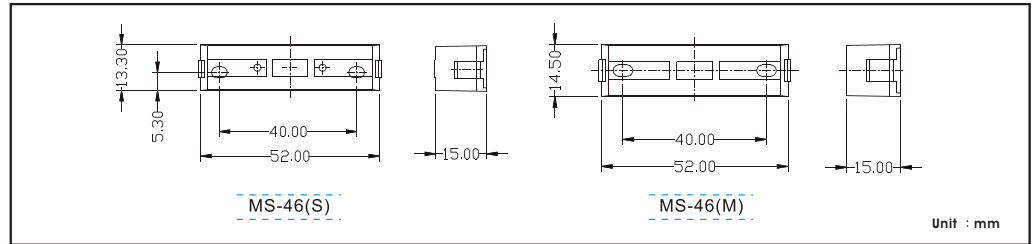


**PS-770**  
PULL SWITCH



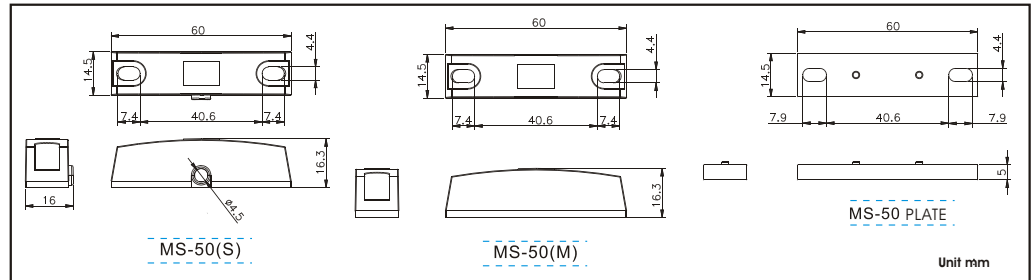
## M.S-46

<b>MS-46B / MS-46G / MS-46W</b>	
OPERATING DISTANCE	1.5 CM
ALARM SIGNAL	NC. 0.1A / 30 VDC
CONTACT RESISTANCE	200 mΩ
WEIGHT	22 GRAMS



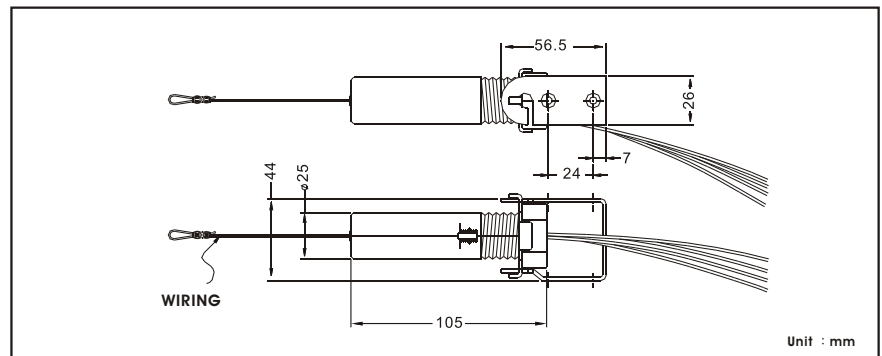
## M.S-50

<b>MS-50B / MS-50G / MS-50W</b>	
OPERATING DISTANCE	1.5 CM
ALARM SIGNAL	NC. 0.1A / 30 VDC
CONTACT RESISTANCE	200 mΩ
WEIGHT	28 GRAMS



## PS-770

OPERATING DISTANCE	2 MM
PULLING WEIGHT	2.5 ± 0.5KG
MAXIMUM SUPPORT	4 KG
DETECTIVE METHOD	MAGNETIC
ALARM SIGNAL	0.2A / 30 VDC
WEIGHT	120 GRAMS



## BT-850

ITEM	BT-850-0	BT-850-2	BT-850-K
SUPPLY VOLTAGE	10V ~ 24VDC		
CURRENT CONSUMPTION W/O LED INDICATOR	0 mA		
CURRENT CONSUMPTION WITH LED INDICATOR	5 mA ( DC12V, max. ) 10.5 mA ( DC24V, max. )		
ALARM OUTPUT	DRY CONNECT RELAY, MICRO SWITCH NC. NO. 0.3A / 30VDC		
OPTIONAL TYPES	1-STEP	2-STEP / MANUAL	2-STEP / KEY
LED INDICATORS	OFF / ON / FLASH ( PER ITEMS )		
WEIGHT	33.6 GRAMS		
SIMENSION	W28 x H69.2 x D24 (mm)		
OPTIONAL PARTS	<ul style="list-style-type: none"> <li>● B-85</li> <li>● SCREWS 4x30 mm x2 (WEIGHT 33 GRAMS)</li> </ul>		

