

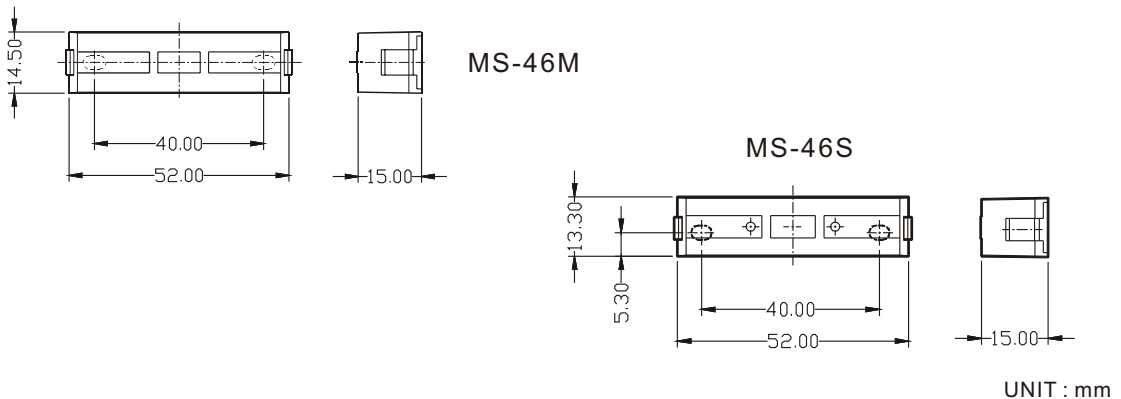
Instruction Manual

MS-46-B / MS-46-W / MS-46-G

MAGNETIC SWITCH

1. SPECIFICATIONS :

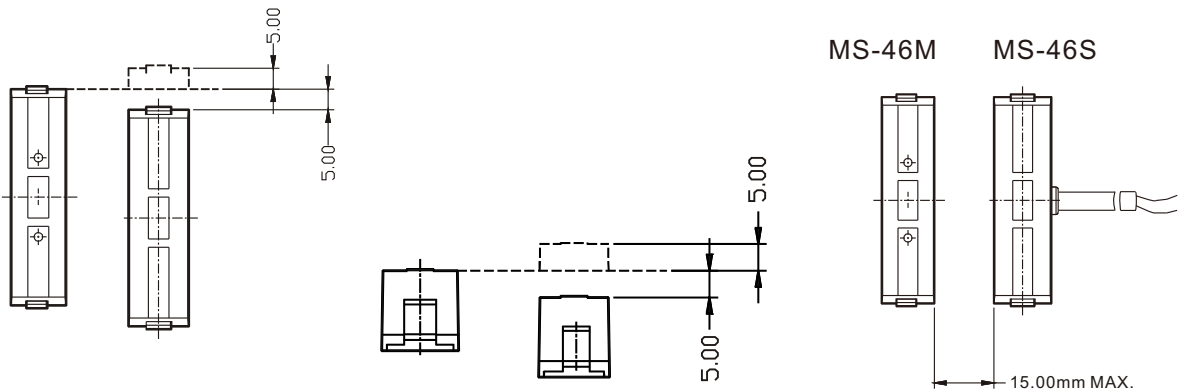
Model	MS-46-B / MS-46-W / MS-46-G
Operating Distance	15mm max. (between magnet and switch)
Alarm Signal	Reed Switch contact NC. 30V AC/DC 0.1A max
Contact Resistance	200mΩ
Long Life Reed Switch	More than one million times open/closed
Contact Action	Magnet leaving / Contacting : Open Magnet closing / Contacting : Close
Weight	22 g



2. NOTE OF INSTALLATION :

The distance between magnet and switch is 15mm (Max.)

The altitude distance between magnet and switch is 5mm (Max.)



When installing in door or window which made of iron, the distance between magnet and switch should be in 5 mm (Max.)



No:A005B01-01