

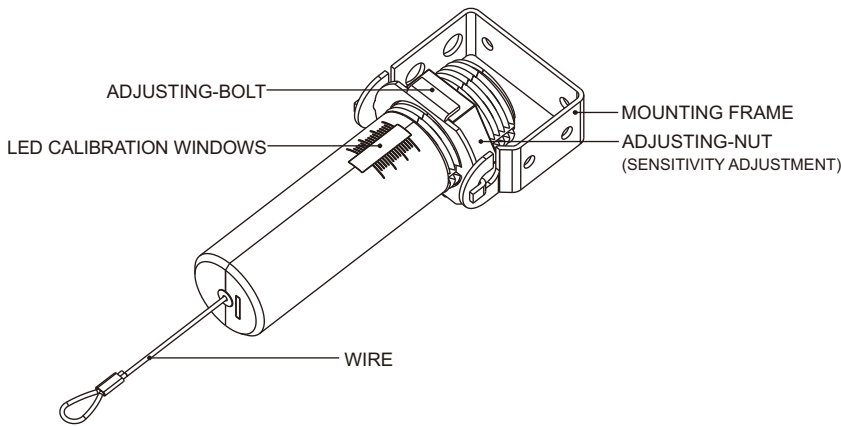
Thanks for purchasing **SENGATE** product. Read this instruction manual before using the product to make sure that you use it correctly.

### FEATURES

- BUILD-IN MICRO SWITCH, PRECISE AND STABLE ON/OFF OPERATION.
- ENHANCED MECHANICAL DESIGN, BETTER WATER-PROOF FUNCTION.
- BUILD-IN LED CALIBRATION WINDOW, NO-POWER REQUIRED, CANNY INSPECTION-ADJUSTMENT.
- PATENT LIMITED-LOADING BREAKER, EFFICIENT INSTALLATION.

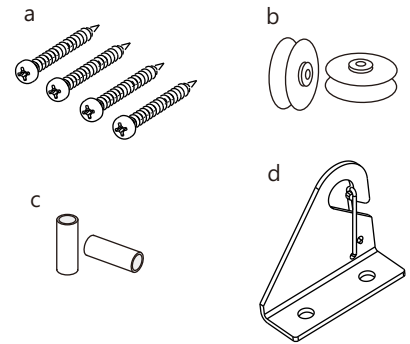
## 1 PRODUCT PARTS :

### ● PS-780 (WALL-ATTACHED MOUNT)

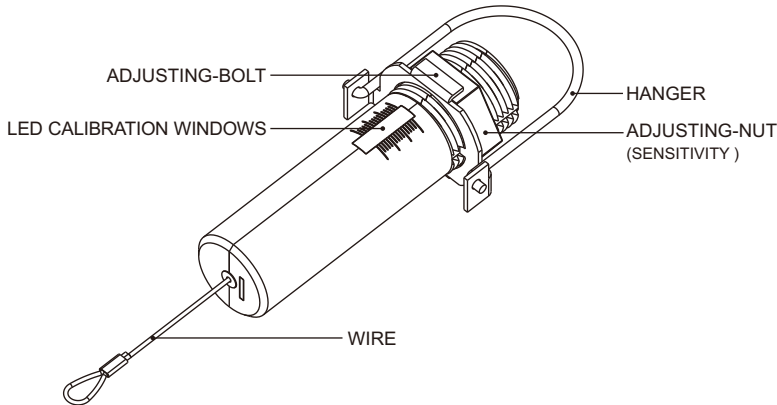


### PS-780 ACCESSORIES

ITEM	ACCESSORIES	Q'TY
a	SCREWS 4x20	4
b	BLOCK AND TACKLE	2
c	WIRE FIXER P-1.25	2
d	WIRING MOUNT	1



### ● PS-781 (HANGING MOUNT)



### PS-781 ACCESSORIES

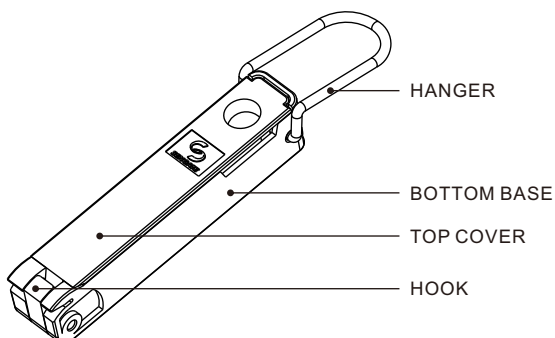
ITEM	ACCESSORIES	Q'TY
a	WIRE FIXER P-1.25	2



### OPTIONAL PARTS

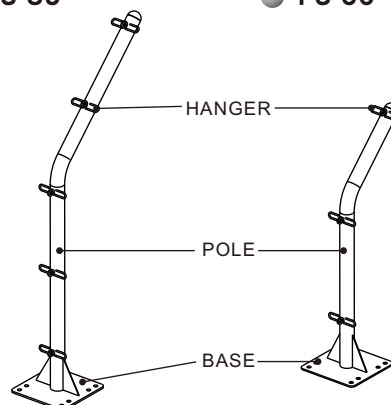
#### LIMITED-LOADING BREAKER

##### ● PS-10



#### WIRING MOUNT

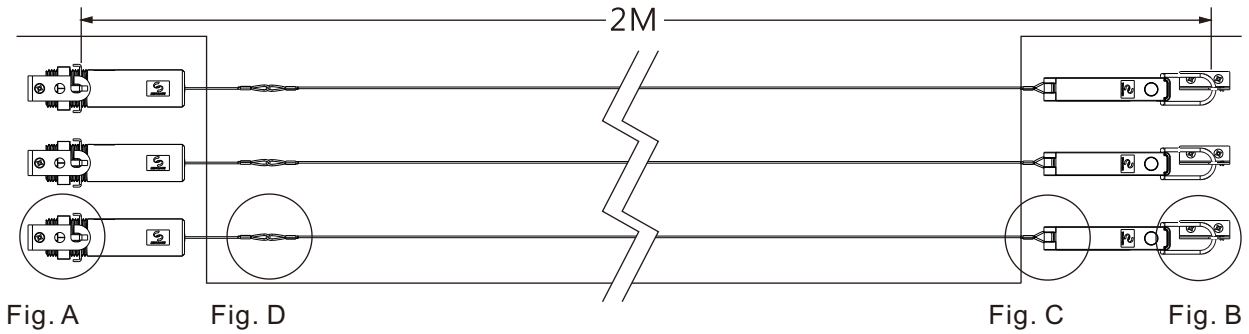
##### ● PS-85



##### ● PS-60

## 2 INSTALLATION :

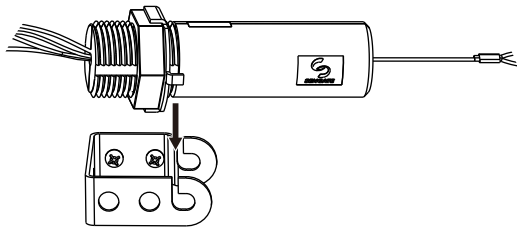
### A. Wall-attached Installation (PS-780)



A-1. Remove PS-780 from the mount frame.

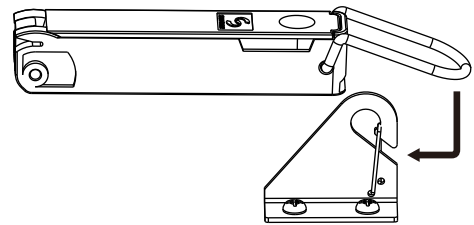
A-6. Use Screws M4x20 to fix the mount frame on the installation, hang the PS-780 on it.

Fig. A



A-3. Use Screws M4x20 to fix wiring mount in opposition to the installation, hang the breaker on it.

Fig. B



A-4. Pull the wiring on the breaker ( as fig. 1), then clip the breaker off ( as fig. 2 )

A-5. Pull and fix the wiring to the alert area.

A-6. Adjust the sensitivity level by Adjusting-Nut. (Refer to 4. SENSITIVITY ADJUSTMENT.)

Fig. C

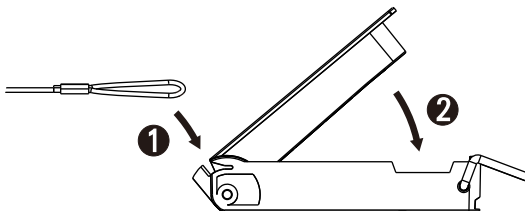
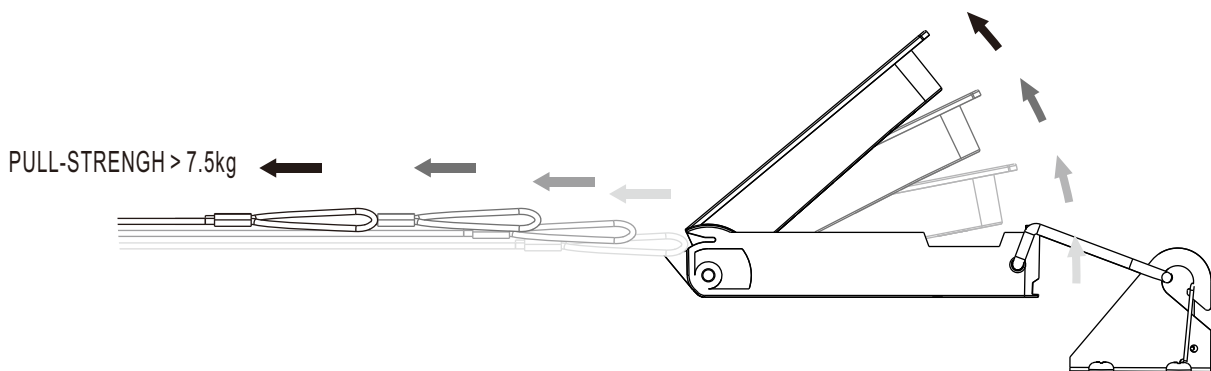


Fig. D



### The operation of the limited-loading Breaker

The most function of the breaker is to save big installation time -- if the pull-strength is bigger than 7.5 kgs, the wiring would break-up inevitably, when this happens. you only need to follow the process A-4 to hang back the wire on the breaker, it is easy.



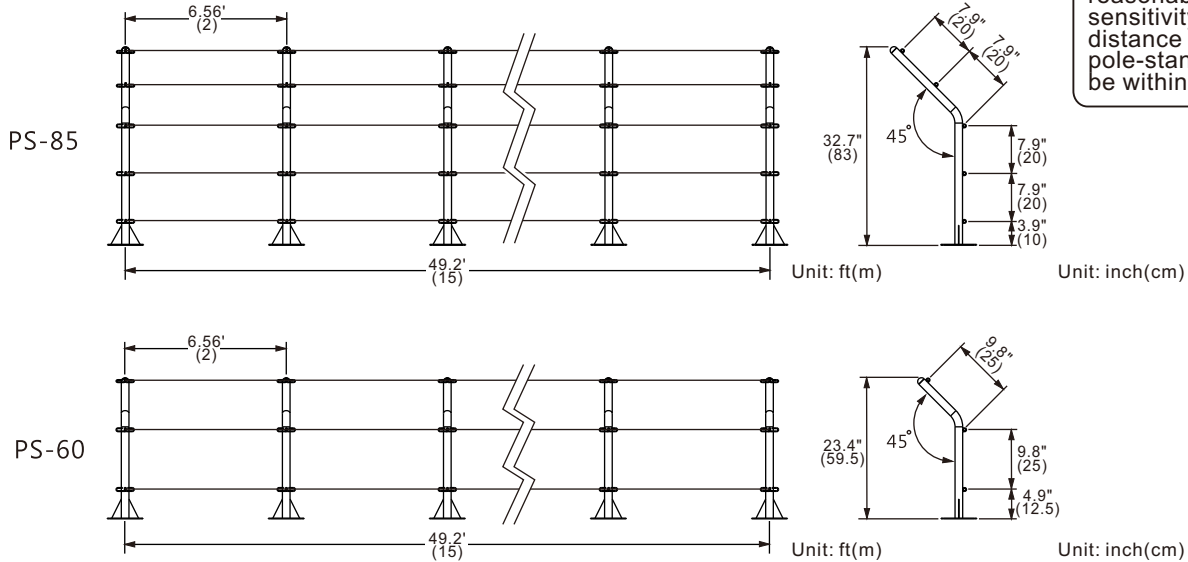
## B. Fence-attached Installation (PS-781)

- B-1. Measure the length of fence, mark the distance with every 6.56' (2M) as a division.
- B-2. Position the pole-stand reasonably, then make 4 marks on the ground before the drilling.
- B-3. Use 5/16" Masonry Drill to drill four(4) screw-hole.
- B-4. Hammer Drive Anchors 5/16" ( stainless ), loose screws, put the pole-stand on, then fasten the screws back.
- B-5. Follow the process of A-4, A-5, A-6 as installation adjustment.

### Note:

\* In order to keep the stability of the sensor, the distance between fence sensors should be less than 49.2' (15M).

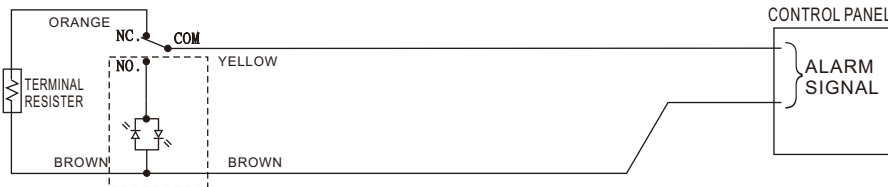
\* In order to keep the reasonable sensitivity, the distance between pole-stands should be within 6.56' (2M).



## 3 WIRING :

### WIRING EXAMPLE

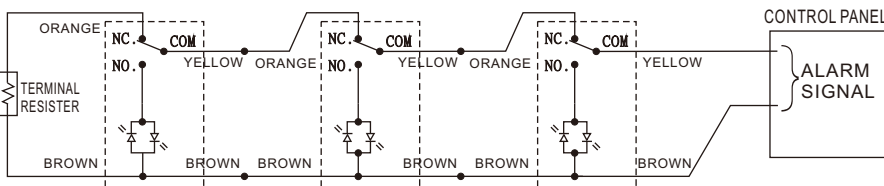
(EXAMPLE 1)



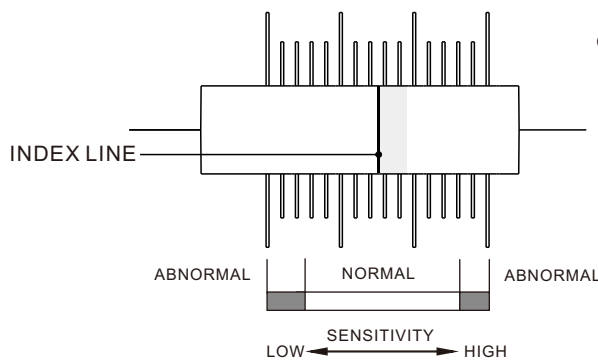
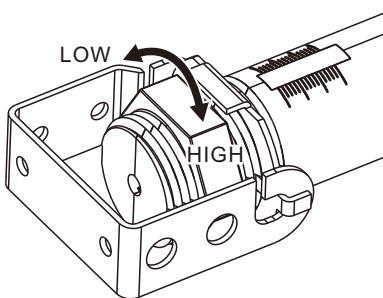
### Note:

Please follow the manual instruction to install the wiring, to prevent intruder to dysfunction the protection by making short circuit on purpose.

(EXAMPLE 2)



## 4 SENSITIVITY ADJUSTMENT :



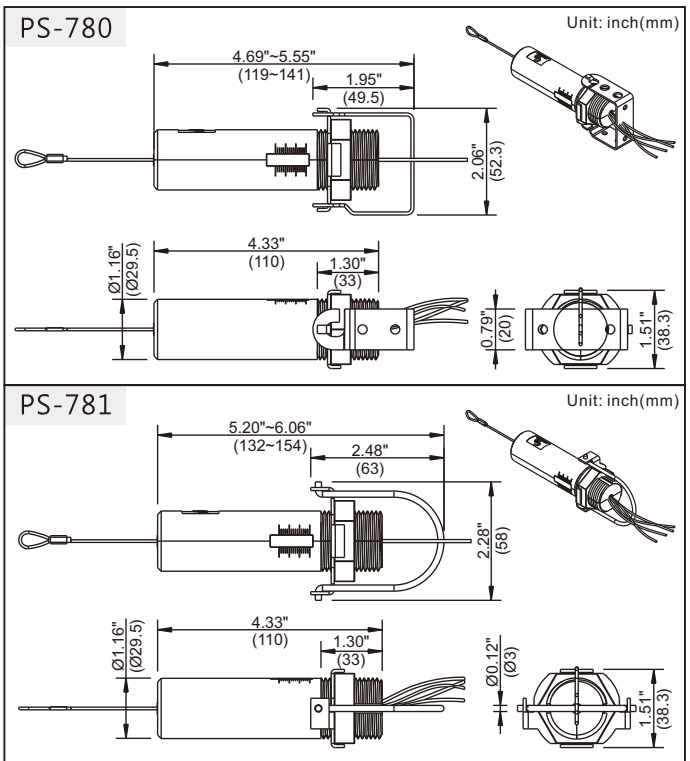
- After wiring adjusted well, rotate the Adjusting-Nut to adjust the index line for the required sensitivity.

- is the Transition Region ( from abnormal to normal ).

## 5 SPECIFICATIONS :

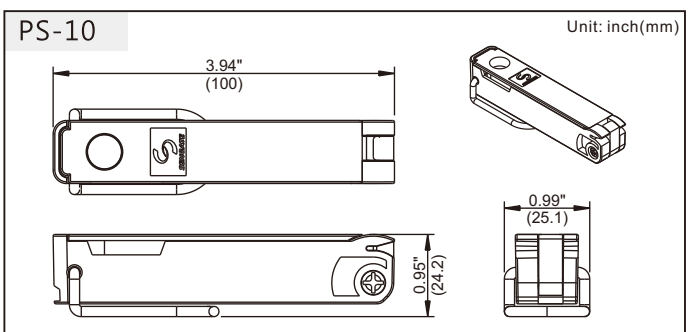
TAUT WIRE FENCE SENSOR		
MODEL	PS-780	PS-781
CONTACT POWER	NO-POWER CONTACT NC. 0.3A/30VDC NO. SERIES CONNECTION 4.7kΩ LED OUTPUT.	
SENSITIVITY LEVEL	5.51±1.1 lb (2.5±0.5 kg)	
MAX. LOADING	22 lb (10 kg)	
DETECTION METHOD	MAGNETIC DETECTION	
OPERATION TEMP. RANGE	-25°C ~ +55°C	
IP RATING	IP68	
WEIGHT	3.99 oz (113 g)	3.39 oz (96 g)
DIMENSION (mm)	4.69"~5.55"x2.06"x1.51" (L119~141xW52.3xH38.3)	5.20"~6.06"x2.28"x1.51" (L132~154xW58xH38.3)
LED DIRECTOR	IF TWO OR MORE SENSORS ALARM - ACTIVATED, ONLY THE SENSOR NEAREST BY CONTROL PANEL, LED LIGHT - UP.	
ACCESSORIES	SCREWS (4x20) 4 PCS WIRE FIXER (P-1.25) 2 PCS BLOCK AND TACKLE-2 PCS WIRING-MOUNT-1 PC	WIRE FIXER (P-1.25) 2 PCS

## 6 DIMENSIONS :

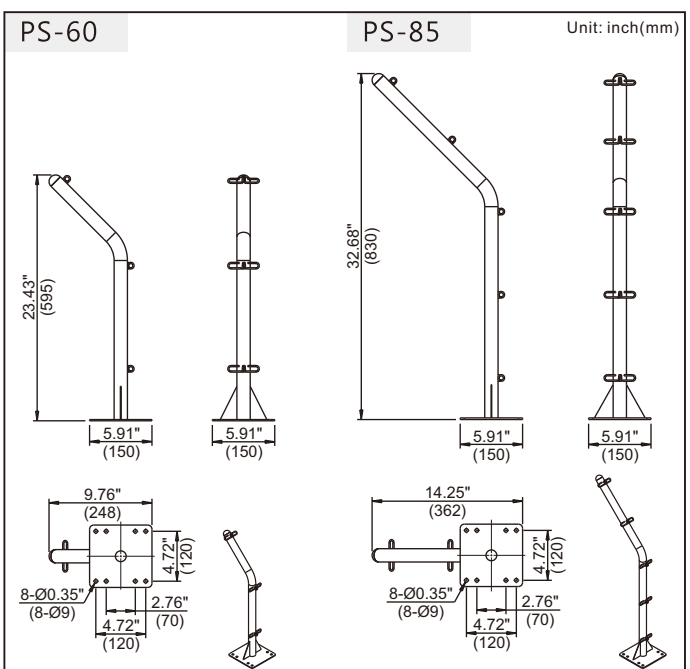


## 7 OPTIONAL PARTS :

LIMITED-LOADING BREAKER	
MODEL	PS-10
BREAKING WEIGHT	16.5±1.1 lb (7.5±0.5 kg)
BREAKING METHOD	MAGNETIC BREAKING
DIMENSION (mm)	3.94" x 0.99" x 0.95" (L100xW 25.1xH24.2)
WEIGHT	1.52 oz (43 g)



TAUT WIRE POLE-STAND		
MODEL	PS-60	PS-85
POLE SPEC	Ø32xH595 mm (T0.9 mm)	Ø32xH830 mm (T1.2 mm)
POLE-STAND ANGLE	45°	
INSTALLATION	3 TAUT WIRES	5 TAUT WIRES
DIMENSION (mm)	9.76" x 23.43" x 5.9" (L248xW595xH150)	14.25" x 32.86" x 5.9" (L362xW830xH150)
WEIGHT	2.43 lb (1.10 kg)	3.64 lb (1.65 kg)



Please Note :

1. This unit is designed to detect intruders and activate alarm control panel. Being only a part of complete system, we cannot assume responsibility for theft or aging damages, should it occur.
2. Follow the spec of voltage/current carefully and properly, to prevent product damaged.



**Taiwan Security Net Co., Ltd.**

No.4-46, Fengren Rd., Renwu Dist., Kaohsiung City 81459, Taiwan (R.O.C)  
TEL : +886-7-3721111~6 FAX: +886-7-3728650

Designing / Manufacturing

Web Site : <http://www.sengate.com>  
E-mail : [service@sengate.com](mailto:service@sengate.com)

No:A057B01-00